

TERMINAL BLOCK

603 GP XX

Replace XX with 01 - 12 poles



Wire Range

- Wire Range with Wire Binding Screw: #10 - #16 AWG
- Wire Range with Listed Ring or Fork Lug: #6 - #16 AWG

Electrical Ratings

- Amps
 - 50 Amps (unprepared wire)
 - Wires larger than #10 AWG require listed ring or fork lug
- 600 Volts AC/DC (UL 1059 Class C, User Group - General Industrial)
- Short Circuit Current Rated for 10,000 Amps
- Factory & Field Wiring

Agency Compliance

- UL Recognized, UL 1059 Terminal Block Standard, File No. XCFR2.E62806
- CSA - certified to C22.2 No. 158, File No. LR19766
- CE compliant to IEC 60947-7-1
- RoHS Complaint

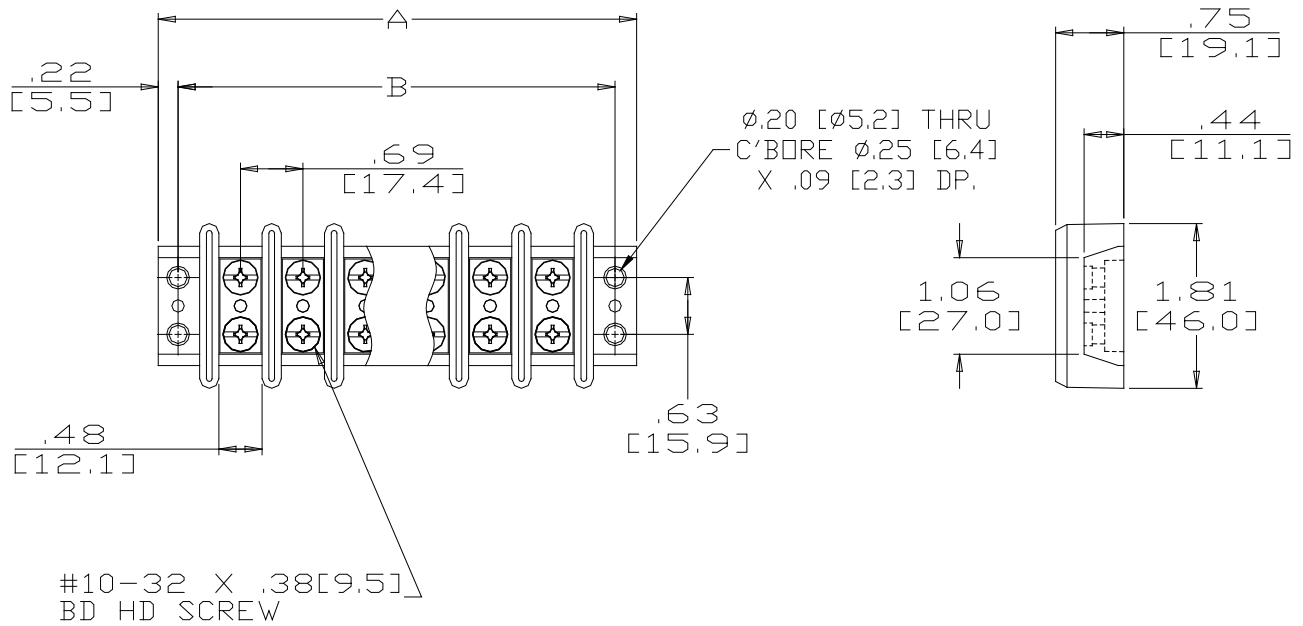
Material Information

- Connector: Brass, nickel plated
- Insulator base:
 - Phenolic
 - Flammability rating of insulator base: UL 94 V-0
 - Insulator base temperature rating: -40°C to 150°C (UL RTI)
- Screw, #10-32 Binder head, Phil-Slot: Steel, nickel plated
- Rivet: Brass, tin plated.

Accessories

- JJ (GDI-30F) Material available. Glass-fiber filled, diallyl ortho-phthalate. UL-94 V0. Certifiable to Military Specifications MIL-M-14 and MIL-P-19833.
- Marking strips - sub mounted or top mounted. Can be made from XP (general purpose laminate), XXXPFR (flame retardant), GME (glass cloth melamine), or GEE (glass cloth epoxy) material.
- Insulator strips - sub mounted, black only (BB) (Printing Unavailable). Insulator Strip will be the same width as the molding.
- Phil-Slot Brass Screw (PSB)

Drawing



		Dimensions	
		A	B
603 GP 01	1	1.81	1.38
603 GP 02	2	2.50	2.06
603 GP 03	3	3.19	2.75
603 GP 04	4	3.88	3.44
603 GP 05	5	4.56	4.13
603 GP 06	6	5.25	4.81
603 GP 07	7	5.94	5.50
603 GP 08	8	6.62	6.19
603 GP 09	9	7.31	6.87
603 GP 10	10	8.00	7.56
603 GP 11	11	8.68	8.25
603 GP 12	12	9.37	8.94
		MM = Dim X 25.4	